

**Mini, 7/8"-Round-Plug Connector, Double-Ended Cordsets, Automotive Color Code**

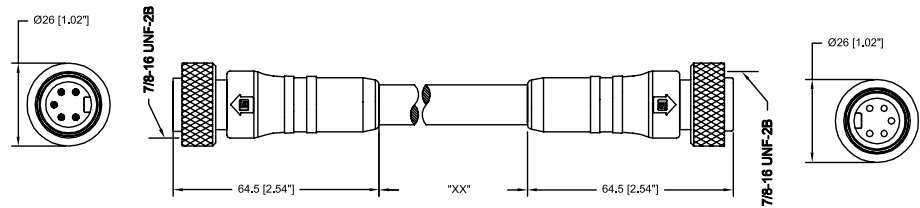
RSRK 301...501 | RSRKW 301...501

**3- and 5-Poles**

Mini, 7/8" double-ended cordsets, male to female straight, 3- and 5-poles with molded cable, Automotive color code.



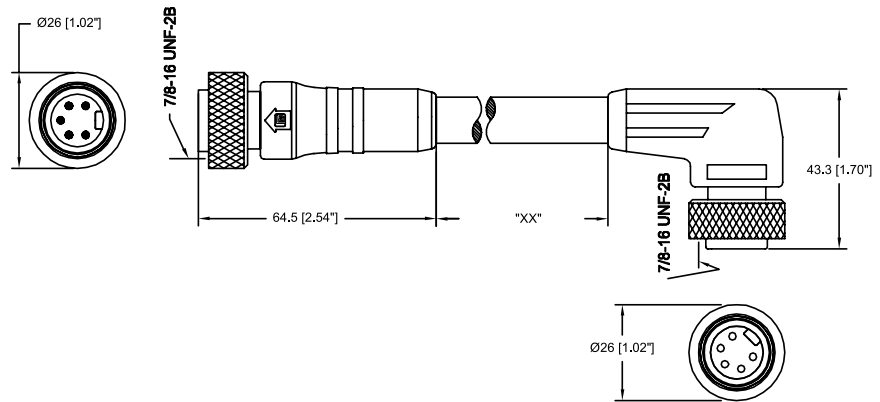
**RSRK**



Mini, 7/8" double-ended cordsets, male straight to female 90°, 3- and 5-poles with molded cable, Automotive color code.



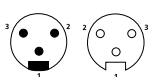
**RSRKW**



**Pin Assignments**

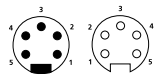
**Mini, 7/8" - Male / Female**

**3 poles**



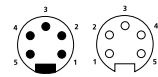
- 1 = green
- 2 = red w/black tr.
- 3 = red w/white tr.

**5 poles (742)**



- 1 = red w/white tr.
- 2 = red
- 3 = green
- 4 = red w/orange tr.
- 5 = red w/black tr.

**5 poles (755)**



- 1 = red w/white tr.
- 2 = red
- 3 = green
- 4 = red w/yellow tr.
- 5 = red w/black tr.



# Be Certain with Belden

## Mini, 7/8"-Round-Plug Connector, Double-Ended Cordsets, Automotive Color Code RSRK 301...501 | RSRKW 30...50

### Technical Data

#### Environmental

Degree of protection IP 67 / NEMA 6P  
 Operating temperature range -40°C (-40°F) / +90°C (194°F)

#### Mechanical

Housing / Molded body TPU, yellow  
 Insert TPU, yellow  
 Contact CuZn, gold over silver plated  
 Coupling nut Aluminum, anodized black

#### Electrical

Current rating 688/741/742: 8 A  
 755: 5.6 A  
 Voltage rating 741/742: 600 V  
 688/755: 300 V

### Cable Specifications - Automotive Color Code

| Cable No. | Outer Jacket | Gauge | Jacket Color | OD              | Temperature Rating              | Agency Approvals              |
|-----------|--------------|-------|--------------|-----------------|---------------------------------|-------------------------------|
| 688       | PVC          | 18AWG | Yellow       | .290" (7.4 mm)  | -40°C (-40°F) to +105°C (221°F) | UL: AWM2661                   |
| 741       | TPE          | 16AWG | Yellow       | .390" (9.9 mm)  | -40°C (-40°F) to +105°C (221°F) | UL: SEOOW / CSA: STOOW        |
| 742       | TPE          | 16AWG | Yellow       | .495" (12.6 mm) | -40°C (-40°F) to +105°C (221°F) | UL: SEOOW / CSA: STOOW        |
| 755       | TPE          | 18AWG | Yellow       | .333" (8.5 mm)  | -40°C (-40°F) to +90°C (194°F)  | UL: PLTC / CSA: AWM I/II, A/B |

| Part Number                          | Pins | Outer Jacket | Standard Cable Lengths          | Characteristics |
|--------------------------------------|------|--------------|---------------------------------|-----------------|
| RSRK 301-688/...F RSRKW 301-688/...F | 3    | PVC          | 6 F / 12 F / 15 F / 20 F / 30 F |                 |
| RSRK 301-741/...F RSRKW 301-741/...F | 3    | TPE          | 6 F / 12 F / 15 F / 20 F / 30 F |                 |
| RSRK 501-742/...F RSRKW 501-742/...F | 5    | TPE          | 6 F / 12 F / 15 F / 20 F / 30 F |                 |
| RSRK 501-755/...F RSRKW 501-755/...F | 5    | TPE          | 6 F / 12 F / 15 F / 20 F / 30 F |                 |

Cordsets Double-Ended