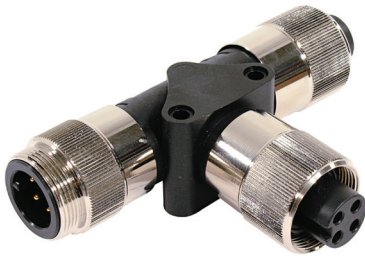


**D-Size 1 3/8" Mini Power 3- and 4-Pole, Drop Tee, Male-Female-Female**

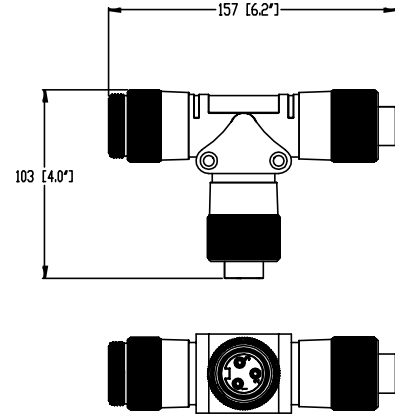
TAP-P



**3- and 4-Pole**

1 3/8" Mini Power 3- and 4-Pole, Drop Tee, Male-Female-Female

TAP-P



**Pin Assignments**

**Face Views**

**3 pole  
Male / Female**



**4 pole  
Male / Female**



# Be Certain with Belden

## D-Size 1 3/8" Mini Power 3- and 4-Pole, Drop Tee, Male-Female-Female

### Technical Data

#### Environmental

Degree of protection NEMA 6P-IP68, IP67  
Operating temperature range -30°C (-86°F) / +90°C (194°F)

#### Mechanical

Housing / Molded body PVC / Black  
Contact carrier PVC / Black  
Contacts CuSn alloy / gold over Ni plated  
Coupling nut CuZn / Ni

#### Electrical

Voltage rating 600 V

Part Number	Pins	Current Rating	Characteristics
TAP-P 3	3	30A	
TAP-P 4	4	25A	