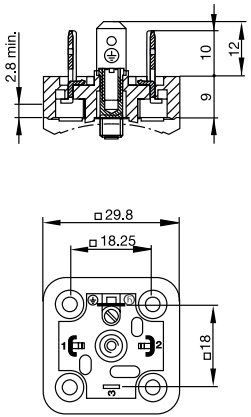
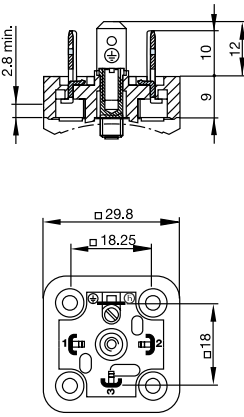


## GDM Series Rectangular Receptacle Connectors, Type A

### Technical Information

Product Description		
Order Designation	GSAZ 200 black	GSAZ 300 black
		
Description	Male appliance connector for cylinder profile gasket GSAZ, front connection, 1 hollow screw, 1 screw M3 x 5	Male appliance connector for cylinder profile gasket GSAZ, front connection, 1 hollow screw, 1 screw M3 x 5
RoHS-Compliant (2011/65/EU)	Yes	
(Construction Type) Standard	DIN EN 175 301-803-A	
Approvals	UR, VDE, SEV	VDE, SEV
Technical Data		
No. of Pins	2 + PE	3 + PE
Ambient Temperature	-40 °C to +125 °C	
Housing/Grip/Screw Coupling	PA	
Contact Holder	PA	
Contact	SN	
Mechanical Data		
Degree of Protection	IP65 (gasket required, only when plugged in, only when mounted and mated with Hirschmann/Lumberg counterparts)	
Terminal Type	Solder, holes for soldering on both sides (ground contact: screw)	
Electrical Data		
Circuit	No protection circuit	
Contact Resistance	≤ 4 mΩ	
Rated Voltage	400 V AC/DC	
Rated Current	16 A	
Pollution Degree	3	
Accessories		
Scope of Delivery or Accessories (incl.)	Items supplied in one package: 200	
Accessories to be Ordered Separately	(NBR) flat gasket GSAZ 35/43, Order No. 733262002 (NBR) flat gasket GSAZ 40/62, Order No. 733264002 (NBR) flat gasket GSAZ 60/120, Order No. 733266002	

Technical Drawing		
		

# Be Certain with Belden

## Order Information

Order No.	Order Designation	No. of Pins	Terminal Type
932429100	GSAZ 200 black	2 + PE	solder, holes for soldering on both sides (ground contact: screw)
932430100	GSAZ 300 black	3 + PE	solder, holes for soldering on both sides (ground contact: screw)