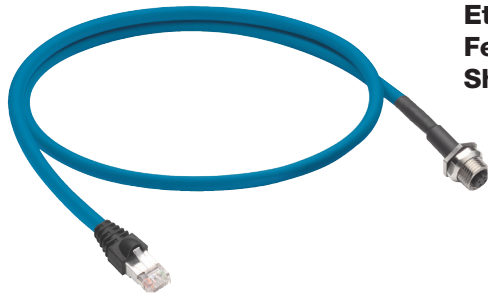


## Detailed Specification & Technical Data



### EtherMATE® Industrial Ethernet Double-Ended Cordset, M12 Female Receptacle/RJ45, 4 Conductors, 26 AWG, Stranded, Shielded, 2 Twisted Pair, PUR, Halogen Free, Water Blue Jacket.

#### Technical Specifications

##### Connector Materials - M12 Receptacle

Housing	Brass, nickel plated
Insert	PUR, black
Contacts	Brass, gold plated
Insert	PUR, black

##### Connector Materials - RJ45

Plug	Polycarbonate
Contacts	Phosphor Bronze, gold plated
Boot	Elastomer Polyolefin
Shell	Copper Alloy, nickel plated

#### Cable Characteristics

<b>Cable Type</b>	CAT5e Industrial Ethernet Cable
<b>Conductor</b>	
NO. Pairs	2 (twisted)
Gauge	26 AWG, stranded
<b>Outer Jacket</b>	
Material	PUR, halogen free
Outside Diameter	5.8 mm
Colors	Water Blue

#### Shielding

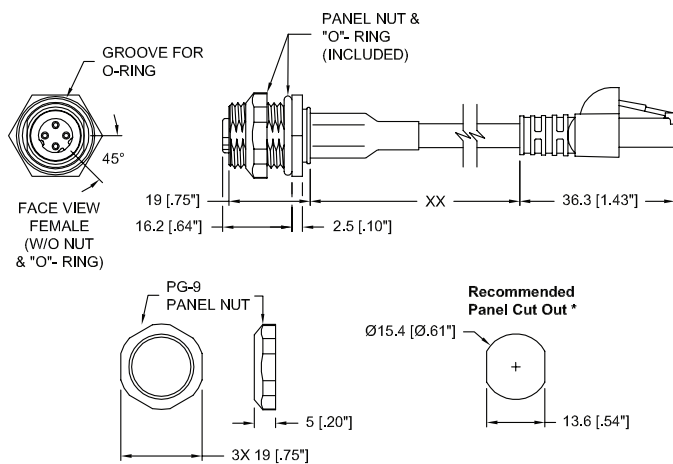
Foil	Aluminum laminated plastic foil
Braid	Tinned Copper, 85% coverage

#### Mechanical Characteristics

Temperature Rating	-20°C To +75°C
Protection	IP 68, NEMA 6P (M12 end only)

**NOTE:** Product includes panel nut, panel o-ring, and isolation washer. For other options contact Lumberg Automation.

#### Technical Illustration

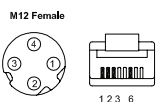


Part Numbers	Order Code	Color	Pairs	Jacket	Shielding	Standard Length
0985 S4549 104/0.3M		Water Blue	2	PUR	Foil/Braided	
0985 S4549 104/0.5M		Water Blue	2	PUR	Foil/Braided	
0985 S4549 104/1M		Water Blue	2	PUR	Foil/Braided	
0985 S4549 104/2M		Water Blue	2	PUR	Foil/Braided	
0985 S4549 104/5M	900 002 276	Water Blue	2	PUR	Foil/Braided	5 Meter
0985 S4549 104/10M		Water Blue	2	PUR	Foil/Braided	
0985 S4549 104/15M		Water Blue	2	PUR	Foil/Braided	
0985 S4549 104/20M		Water Blue	2	PUR	Foil/Braided	
0985 S4549 104/30M		Water Blue	2	PUR	Foil/Braided	
0985 S4549 104/45M		Water Blue	2	PUR	Foil/Braided	

#### Face View

#### Color Code

#### Product Characteristics



M12	Color	RJ45
1	White Orange	1
2	White Green	3
3	Orange	2
4	Green	6
<b>Shell</b>	<b>Shield</b>	<b>Shell</b>



**NOTE:** Vibration & Oil Resistant applies to M12 side only.