



## Rectangular Connectors GDM-Series GDM 3011 AU schwarz/black

Industrial Connecting Solutions:Rectangular Connectors:Valve Connectors (Type A - B -C):Type A:Field Attachable Valve Connectors:Valve Connectors (DIN EN 175 301-803):GDM 3011 AU schwarz/black

<https://e-catalog.hirschmann.com:443/link/57078-24228-256261-256266-256270-276215-24311-39796/en/conf/ui/state>

Name	GDM 3011 AU schwarz/black
	
	cable socket with gold plated contacts and central screw M 3 x 35
<b>Delivery informations</b>	
Availability	available
<b>Product description</b>	
Description	cable socket with gold plated contacts and central screw M 3 x 35
Type	GDM 3011 AU schwarz/black
Order No.	931 952-001
Number of contacts	3 + PE
Cable gland	PG 11
Conductor size	max. 1.5 mm <sup>2</sup>
Standard	DIN EN 175 301-803-A
Housing Color	black
Construction type	A
<b>Technical data</b>	
Pin dimensions	6.3 mm x 0.8 mm, 4.8 mm x 0.8 mm
Rated voltage	AC/DC 250 V
Rated current	16 A
Contact resistance	<= 4 mOhm
Type of termination	screw
Suitable cables	6 mm to 9 mm diameter
Mounting	central nut
<b>Material</b>	
Contact surface material	Au
Contact bearer material	PA
Housing material	PA
<b>Environmental conditions</b>	
Protection class (IEC 60529)	IP 65 (gasket necessary)
Pollution severity	3
Temperature range	-40 °C to +125 °C
<b>Inflammability class</b>	
Housing	94 HB
Contact bearer	94 HB
<b>Approvals</b>	
VDE	VDE
SEV	SEV
CSA	CSA
<b>Packing unit</b>	
Packaging unit	200 pieces
<b>Scope of delivery and accessories</b>	
Accessories to order separately	(NBR) flat gasket GDM 3-7, Order no. 730 801-002; (EPDM) flat gasket GDM 3-21, Order no. 731 739-004; profiled gasket GDM 3-16, Order no. 731 531-002;

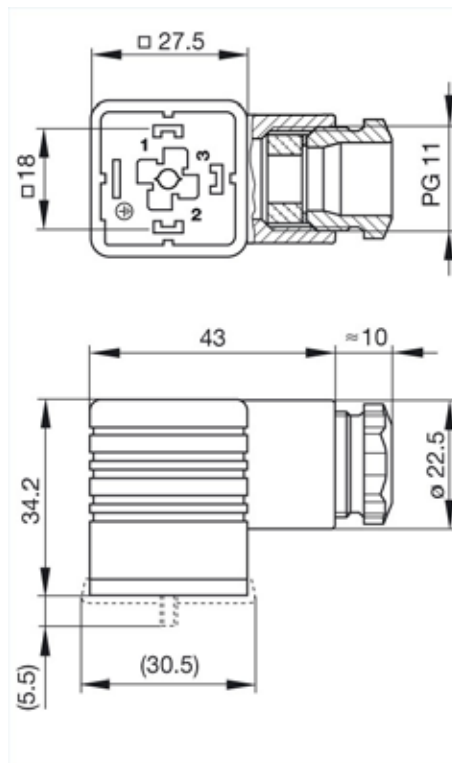
## Rectangular Connectors GDM-Series GDM 3011 AU schwarz/black

Industrial Connecting Solutions:Rectangular Connectors:Valve Connectors (Type A -B -C):Type A:Field Attachable Valve Connectors:Valve Connectors (DIN EN 175 301-803):GDM 3011 AU schwarz/black  
<https://e-catalog.hirschmann.com:443/link/57078-24228-256261-256266-256270-276215-24311-39796/en/conf/ui/state>

knurled screw GDM 3011-8,  
Order no. 732 574-001;  
stainless steel screw GDM 3011 RF-1,  
Order no. 734 363-001

### Picture

### Drawing



### Belden Deutschland GmbH

Im Gewerbepark 2  
58579 Schalksmühle  
Germany  
Phone: +49 7127/14-1806  
E-Mail: [icos-sales@belden.com](mailto:icos-sales@belden.com)