




## Rectangular Connectors GDM-Series GDMW 3011 CF schwarz/black

Industrial Connecting Solutions:Rectangular Connectors:Valve Connectors (Type A - B -C):Type A:Field Attachable Valve Connectors:Valve Connectors (DIN EN 175 301-803):GDMW 3011 CF schwarz/black

<https://e-catalog.hirschmann.com:443/link/57078-24228-256261-256266-256270-276215-24311-34916/en/conf/ui/state>

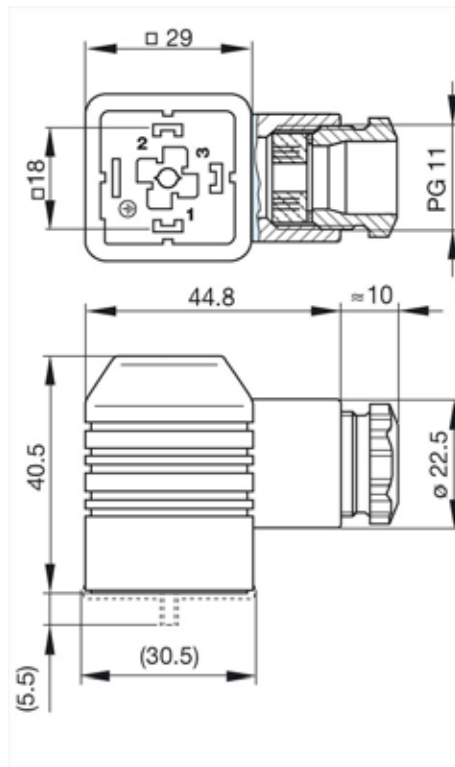
<b>Name</b>	GDMW 3011 CF schwarz/black
	
	cable sockets according to DIN VDE 0722 section 1-2 and for gas safety shut-off device according to DIN 3394 T1
<b>Delivery informations</b>	
<b>Availability</b>	available
<b>Product description</b>	
<b>Description</b>	cable sockets according to DIN VDE 0722 section 1-2 and for gas safety shut-off device according to DIN 3394 T1
<b>Type</b>	GDMW 3011 CF schwarz/black
<b>Order No.</b>	932 545-200
<b>Other standard types</b>	grey housing, Order no. 932 545-206
<b>Number of contacts</b>	3 + PE
<b>Cable gland</b>	PG 11
<b>Conductor size</b>	max. 1.5 mm <sup>2</sup>
<b>Standard</b>	DIN EN 175 301-803-A
<b>Housing Color</b>	black
<b>Construction type</b>	A
<b>Technical data</b>	
<b>Pin dimensions</b>	6.3 mm x 0.8 mm, 4.8 mm x 0.8 mm
<b>Rated voltage</b>	AC/DC 250 V
<b>Rated current</b>	16 A
<b>Contact resistance</b>	<= 4 mOhm
<b>Type of termination</b>	screw
<b>Suitable cables</b>	4.5 mm to 11 mm diameter
<b>Mounting</b>	central nut
<b>Material</b>	
<b>Contact surface material</b>	Sn
<b>Contact bearer material</b>	PA
<b>Housing material</b>	PA
<b>Environmental conditions</b>	
<b>Protection class (IEC 60529)</b>	IP 65 (gasket necessary)
<b>Pollution severity</b>	3
<b>Temperature range</b>	-40 °C to +125 °C
<b>Inflammability class</b>	
<b>Housing</b>	94 HB
<b>Contact bearer</b>	94 HB
<b>Approvals</b>	
<b>VDE</b>	VDE
<b>CSA</b>	CSA
<b>Packing unit</b>	
<b>Packaging unit</b>	200 pieces
<b>Scope of delivery and accessories</b>	
<b>Accessories to order separately</b>	(NBR) flat gasket GDM 3-7, Order no. 730 801-002; (EPDM) flat gasket GDM 3-21, Order no. 731 739-004; profiled gasket GDM 3-16, Order no. 731 531-002; knurled screw GDM 3011-8, Order no. 732 574-001; stainless steel screw GDM 3011 RF-1, Order no. 734 363-001

## Rectangular Connectors GDM-Series GDMW 3011 CF schwarz/black

Industrial Connecting Solutions:Rectangular Connectors:Valve Connectors (Type A -B -C):Type A:Field Attachable Valve Connectors:Valve Connectors (DIN EN 175 301-803):GDMW 3011 CF schwarz/black  
<https://e-catalog.hirschmann.com:443/link/57078-24228-256261-256266-256270-276215-24311-34916/en/conf/ui/state>

Picture

Drawing



**Belden Deutschland GmbH**  
Im Gewerbepark 2  
58579 Schalksmühle  
Germany  
Phone: +49 7127/14-1806  
E-Mail: [icos-sales@belden.com](mailto:icos-sales@belden.com)

The information published in the websites has been compiled as carefully as possible. It is subject to alteration without notice in technical as well as in price-related/commercial respect. The complete information and data were available on user documentation. Mandatory information can only be obtained by a concrete query.